

カーチェックシート



代替予定車両

査定証No. 査定日 年 月 日

クラス 特C 特B 特A I II III IV 軽

駆動 FF FR 4WD () ルーフ H・M・S

輸入車 特 I II III IV V VI

[正規・新並・中並] ハンドル [左・右]

問診: スペアキー 有・無

査定日 年 月 日

Table with columns for exterior (外装), paint (塗装), and body panels (板金). Rows include standard reduction points (標準減点) and specific damage points for side panels (サイドパネル).

Table for body damage assessment (ボディの傷). Columns include damage type (e.g., scratches, dents), location (e.g., hood, roof), and severity (e.g., 10 points for scratches).

Table for vehicle identification and history. Includes fields for registration number (登録番号), engine type (エンジン), and usage (所有者, 使用者).

Table for interior damage (内装減点). Rows include seat damage (シート), carpet (カーペット), and other interior components.

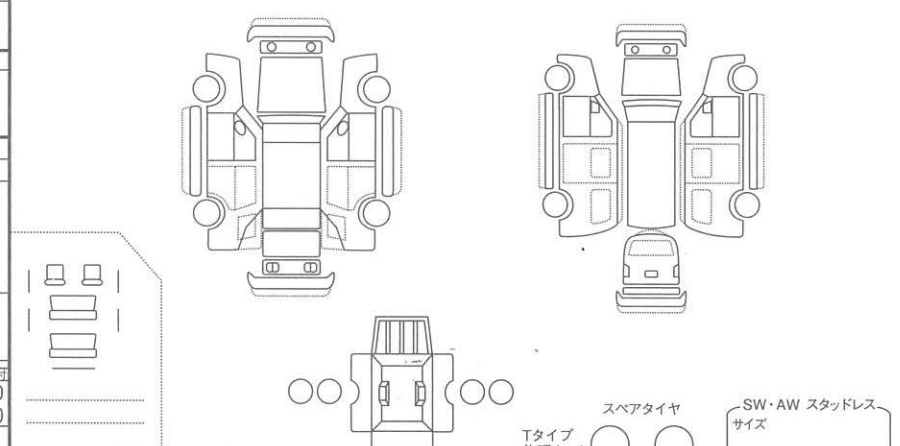


Table for vehicle specifications and maintenance. Includes fields for engine type, body size, and maintenance records (定期点検整備記録簿).

Table for exterior damage (外装減点). Rows include bumper (バンパー), mirrors (ミラー), and other exterior parts.

Table for vehicle diagrams (車両図計). Includes engine, tires, and other components with their respective reduction points.

Table for basic price (基本価格). Includes fields for engine, tires, and other components with their respective values.

Table for exterior damage (外装減点) and other details. Includes fields for bumper, mirrors, and other exterior parts.

Table for vehicle diagrams (車両図計) and overall vehicle assessment. Includes fields for engine, tires, and other components.

Table for basic price (基本価格) and final assessment. Includes fields for engine, tires, and other components.